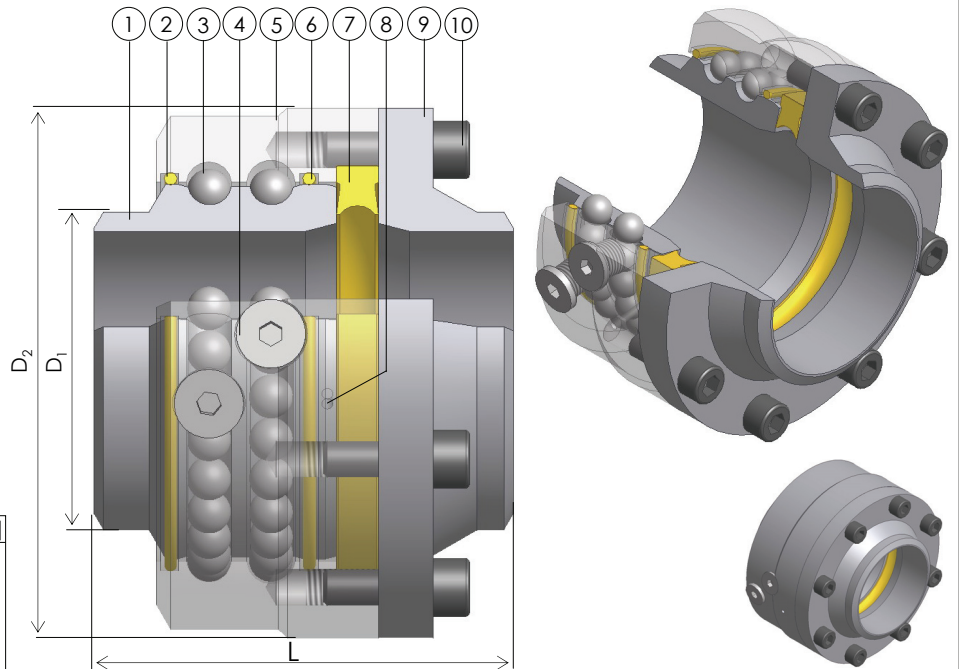


Swivel Joint SAN831

Full bore
Multi purpose
Bulletin SAN831

The SAN831 swivel joint is a KANON standard swivel joint, suitable for a wide range of products. This swivel joint is of a full-bore execution, so there is a minimum pressure drop. It can also be used for piggable systems.

- 1 INNERBODY
- 2 DUST SEAL
- 3 BALL
- 4 PLUG
- 5 OUTERBODY
- 6 BALLRACE SEAL
- 7 PRODUCT SEAL
- 8 FUNCTION CHECK
- 9 FLANGE
- 10 PLUG



D	D ₁	D ₂	L	Weight [N]
1"	33.4	80	100	25
2"	60.3	118	115	48
3"	88.9	148	115	66
4"	114.3	180	115	85

Specific features:

- High load bearing capability due to:
 - 4 point contact ball races
 - larger balls
- Dust seal to prevent soiling.
- Long life lubrication.
- Double ball races.
- Function check, between product and ball race seal.
- Replacing the product seal can be done without removing the balls.
- The dual seal design protects the ball race chamber against penetration of fluid and dust.
- The dynamic seal face of the inner body is provided with a polished stainless steel surface for long and excellent sealing.
- Maximum pressure : 63 bar
- Temperature range : -70°C up to +310°C

Materials:

- Outerbody : S355, AISI 316, AISI 304L, 34CrNiMo6, Low temp. carbon steel.
- Innerbody : AISI 316L, AISI 304L, Duplex Stainless Steel.
- Flange : S355, AISI 316L, AISI 304L, Low temp. carbon steel.
- Product seal : PTFE, PTFE-C, Viton, UHMW-PE, FDA approved PUR, NBR.

Options:

- Jacketing.
- Purge connection.
- Hastelloy seal face.
- Flanges on both sides.
- Single ball race (SAN830)