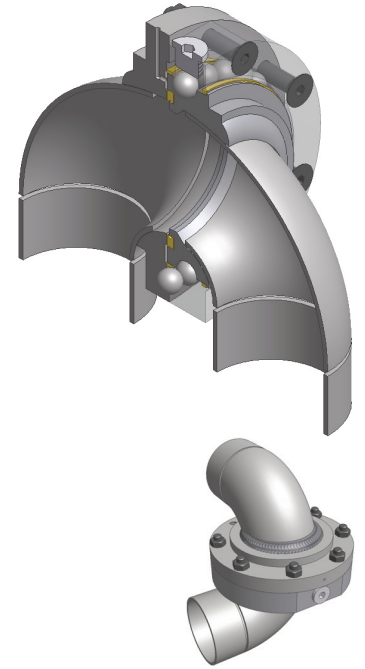
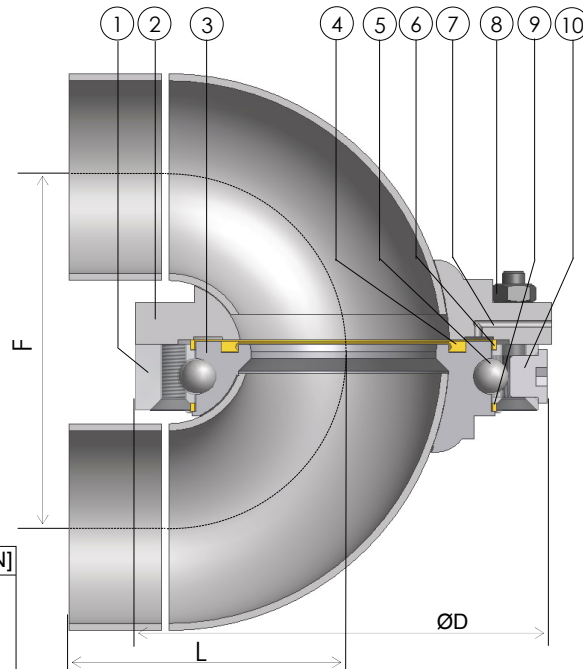


Swivel Joint SAL835

Low height
execution
Bulletin SAL835

The SAL835 is our low height execution swivel joint, suitable for a wide range of products used in bottom loading arms, especially for gravity unloading.

- 1 OUTERBODY
- 2 FLANGE
- 3 INNERBODY
- 4 PRODUCT SEAL
- 5 BALL
- 6 BALLRACE SEAL
- 7 FUNCTION CHECK
- 8 HEX. SCREW
- 9 DUST SEAL
- 10 PLUG



SIZE	QD	F	L	Weight [N]
2"	160	130	103	70
3"	180	150	118	90
4"	220	225	150	120

Specific features:

- High load bearing capability due to:
 - 4 point contact ball race
 - large balls
- The dual seal design protects the ball race chamber against penetration of fluid.
- Dust seal to prevent soiling.
- Long life lubrication, for minimum of maintenance.
- Function check, between product and ball race seal.
- Replacing the product seal can be done without removing the balls.
- The dynamic seal face of the innerbody is provided with a polished stainless steel surface for long and excellent sealing.
- Max. operating pressure : 30 bar.
- Temperature range : -20°C up to +200°C

Materials:

- Outerbody : AISI 316L, AISI 304L, S355 34CrNi
- Innerbody : AISI 316L, AISI 304L, Carbon Steel, Duplex
- Flange : AISI 316L, AISI 304L, Carbon Steel
- Product seals : PTFE-C, UHMW-PE

Options:

- Purge connection.
- Hastelloy seal face.