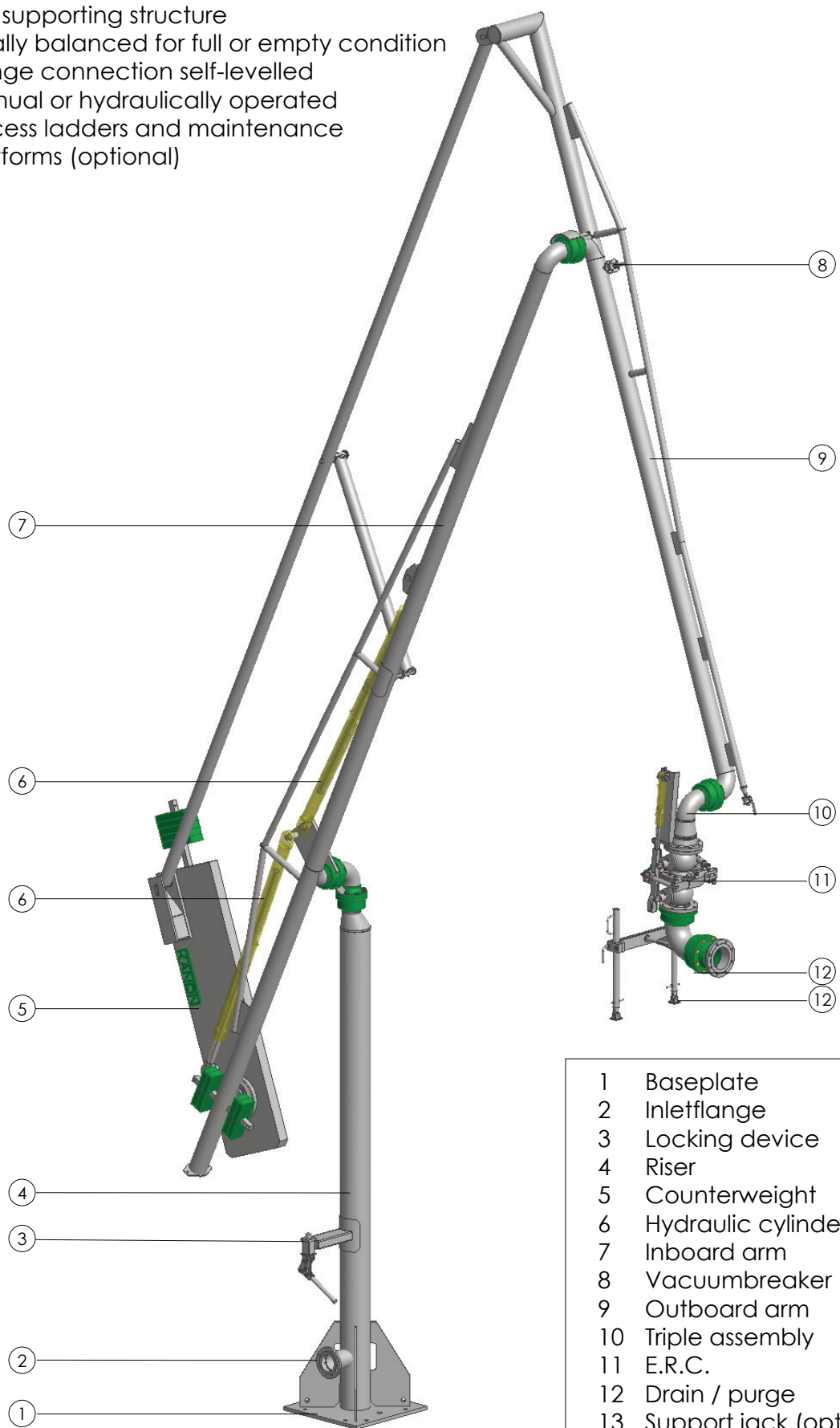


Marine Loading Arms 260

Single Inboard
Hydraulically
operated with E.R.C.
Bulletin 260139

- Self supporting structure
- Totally balanced for full or empty condition
- Flange connection self-levelled
- Manual or hydraulically operated
- Access ladders and maintenance platforms (optional)



- 1 Baseplate
- 2 Inletflange
- 3 Locking device
- 4 Riser
- 5 Counterweight
- 6 Hydraulic cylinders
- 7 Inboard arm
- 8 Vacuum breaker
- 9 Outboard arm
- 10 Triple assembly
- 11 E.R.C.
- 12 Drain / purge
- 13 Support jack (optional)