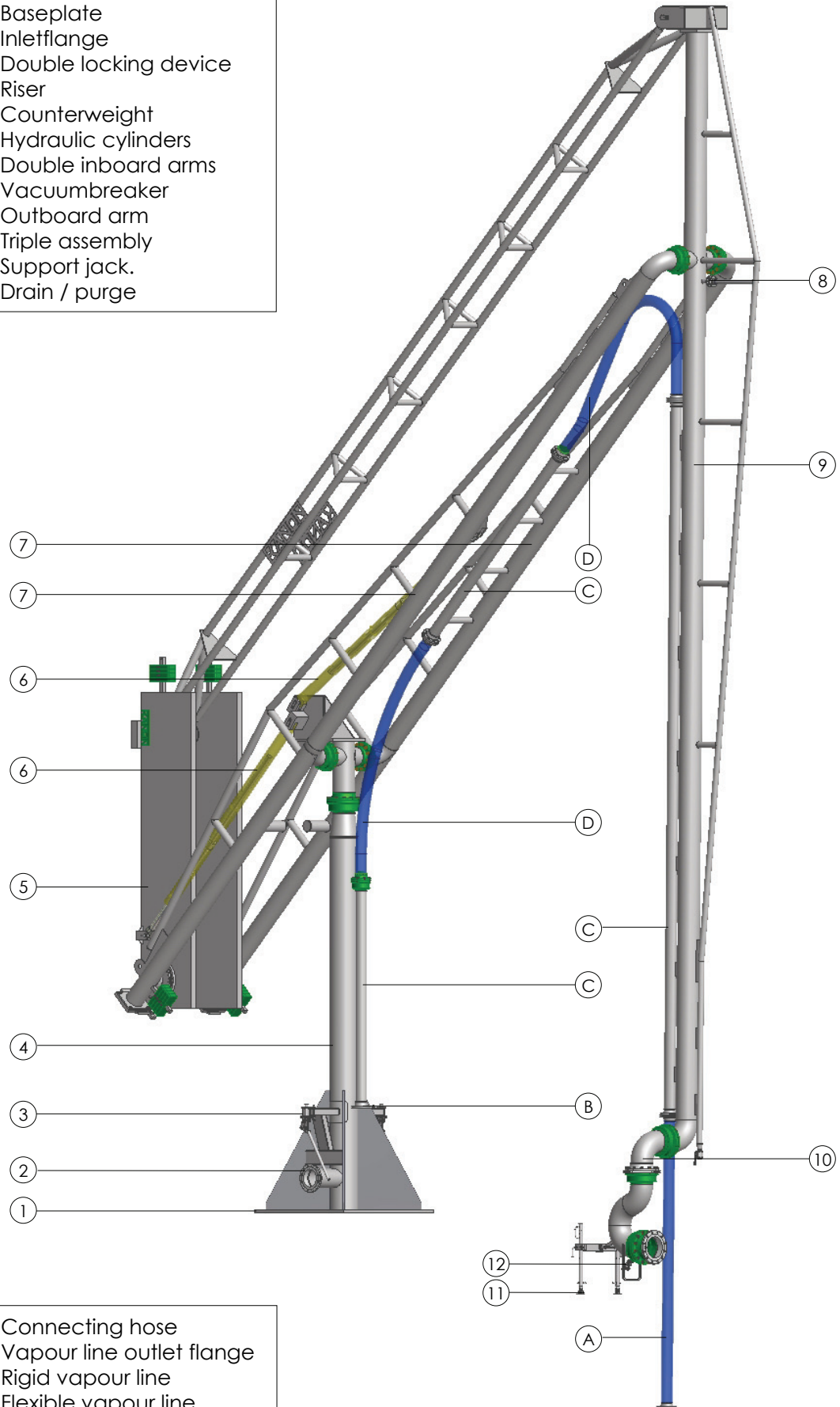


Marine Loading Arms 260

Double Inboard, with piggy back vapour line

Bulletin 260049

- 1 Baseplate
- 2 Inletflange
- 3 Double locking device
- 4 Riser
- 5 Counterweight
- 6 Hydraulic cylinders
- 7 Double inboard arms
- 8 Vacuumbreaker
- 9 Outboard arm
- 10 Triple assembly
- 11 Support jack.
- 12 Drain / purge



- A Connecting hose
- B Vapour line outlet flange
- C Rigid vapour line
- D Flexible vapour line