

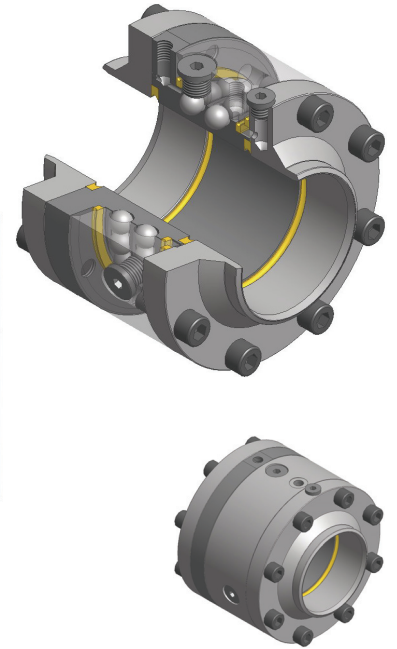
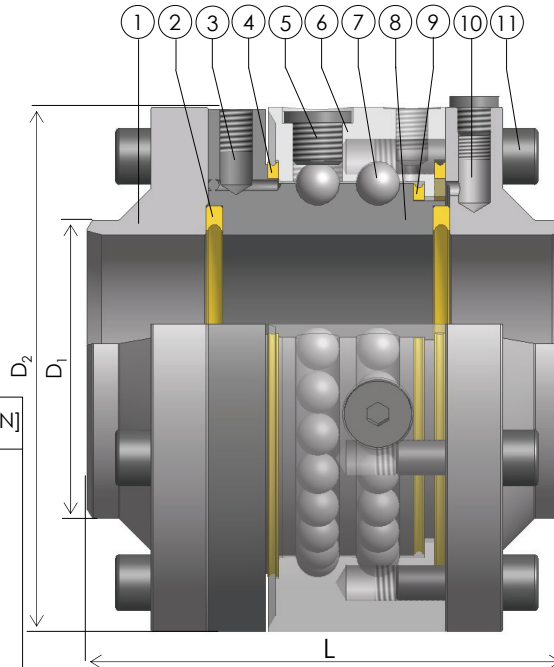
Swivel Joint SAC817

Cryogenic

Bulletin SAC817

The swivel joint SAC817 is used for cryogenic purposes. The product seals are made of UHMW-PE and all metal parts are made of austenetic stainless steel.

- 1 FLANGE
- 2 PRODUCT SEAL
- 3 PURGE CONNECTION
- 4 DUST SEAL
- 5 PLUG
- 6 OUTERBODY
- 7 BALL
- 8 INNERBODY
- 9 BALLRACE SEAL
- 10 FUNCTION CHECK
- 11 HEX. SCREW



D	D ₁	D ₂	L	Weight [N]
2"	60	120	135	75
3"	89	150	135	110
4"	114	180	145	160
6"	168	318	155	133
8"	219	381	163	1325
10"	273	445	177	1800
12"	324	521	185	2270
16"	406	652	210	3125

Specific features:

- The bearing part is complete separated from the sealing part, in case of leakage, product can't enter the ball races.
- Due to the special shape of the ball races, the loads on the swivel joints are much higher than the conventional types.
- The swivel joint is provided with a newly developed product seal with 360° round spring and very flexible U-shape.
This gives a better sealing and longer life of the seal itself.
- It is possible to replace the product seal by unbolting the swivel joint flange. There is no need to remove the balls from the swivel joints.
- The swivel joint is provided with a function check to detect leakage of the product seal.
- Maximum pressure : 300# rating
- Temperature range : -200°C up to +70°C

Materials:

- Outerbody : AISI 316 or AISI 304.
- Innerbody : AISI 316 or AISI 304.
- Flange : AISI 316 or AISI 304.
- Product seals : UHMW-PE